

Flat Access Door Installation Instructions



Installation is simplified through step-by-step instructions.

The estimated time required for installation is 30 minutes per door.

The only tools required for installation are:

- 1) Drill
- 2) 5/8" or 3/4" hole saw (or drill bit)
- 3) 5/16" drill bit for drill
- 4) Metal cutting saw and blades (or power shears)

The contents of this package are:

- 1) Access door cover (Front Panel)
- 2) Access door frame (Back Frame)
- 3) 1/4" Wing nuts for each stud
- 4) "E"-Clips for each stud

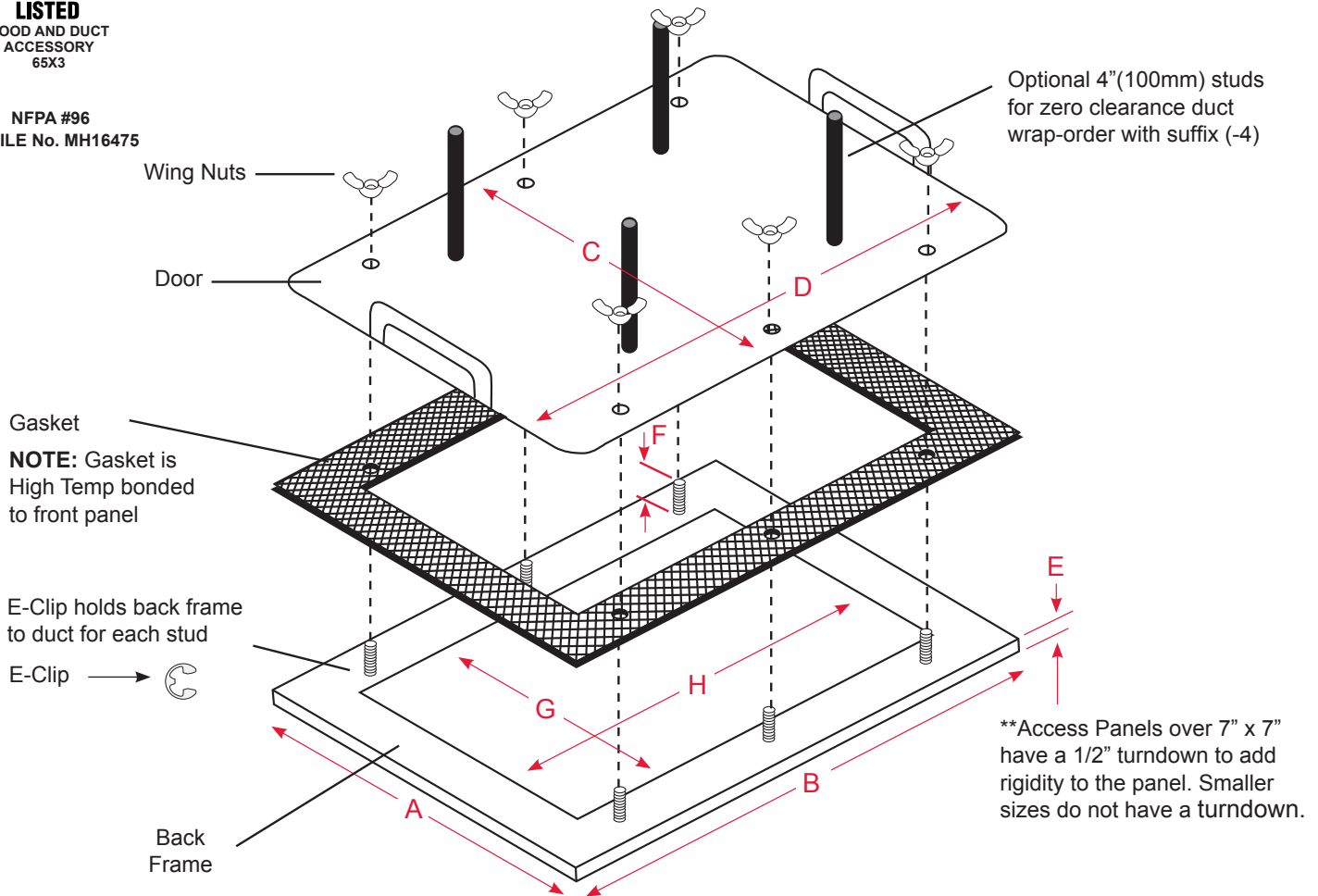
1. Unpack the carton and remove the front panel of the access door.
2. Select the best location for the access door and place the front panel against the duct (access doors must be located on the side of the duct at least 2" from the bottom edge).
3. Mark each mounting hole on the duct with a marker.
4. Drill out the mounting holes for the 1/4" studs
5. From the outside of the duct, take the back frame of the access door and place the bolts inside the holes
6. With a marker, trace the inside of the frame onto the duct
7. Cut an opening through the duct where you have just marked. We suggest drilling two 5/8" pilot holes at opposite corners for easy saw access.
8. After carefully removing the sheet metal, place the back frame diagonally INTO the duct, align the studs with the bolt holes and pull the frame outward towards you so the frame is flush against the inside of the duct and the mounting studs protrude through the pre-drilled holes in the side of the duct. Be sure to have a good grip on the frame so it doesn't fall into the duct.
9. Take the "E"-clips and slide onto the base of all studs to hold the back frame in place. Be sure to use an "E"-clip on all of the studs.
10. Put the front panel on, gasket side toward the duct, and tighten with the supplied wing nuts in a criss-cross pattern.



Flat Access Door Installation Instructions



NFPA #96
UL FILE No. MH16475



Please Order by Part No.	BACK FRAME OUTSIDE DIMENSION		FRONT PANEL OUTSIDE DIMENSION		PANEL WIDTH	STUD HEIGHT	HOLE SIZE • BACK FRAME INSIDE DIMENSION		MOUNTING STUDS
	A*	B*	C	D			G	H	
PART NO.	A*	B*	C	D	E	F	G	H	
750710	7"	10"	7"	10"	Flat	1"	5.5"	8.5"	6
750715	7"	15"	7"	15"	Flat	1"	5.5"	13.5"	6
750723	7"	23"	7"	23"	Flat	1"	5.5"	21.5"	10
750606	8"	8"	8"	8"	Flat	1"	6"	6"	4
750707	10"	10"	10"	10"	.5"	1"	7"	7"	4
750712	10"	15"	10"	15"	.5"	1"	7"	12"	6
750720	10"	23"	10"	23"	.5"	1"	7"	20"	10
751212	15"	15"	15"	15"	.5"	1"	12"	12"	8
751220	15"	23"	15"	23"	.5"	1"	12"	20"	14
751620	19"	23"	19"	23"	.5"	1"	16"	20"	16
752020	23"	23"	23"	23"	.5"	1"	20"	20"	16